



Swallow (GB) Ltd

QUALITY TIMBER GREENHOUSES
& GARDEN BUILDINGS



"Inspired by Tradition"

"Made like they used to be"



Swallow GB Ltd is proud to be a leading UK greenhouse manufacturer. We install all our own buildings anywhere in mainland UK. We also send our products to Ireland, Shetland Islands, France and we have even exported to the USA where the overseas agents install.

Established in March 2009, our aim is to be the country's largest and respected quality timber greenhouse manufacturer, and we are on target. The company ethic is simple, and that is to consistently provide care and attention to detail, value for money, outstanding service and above all respect our customers.

The origins of the greenhouse go back hundreds of years, even the Roman Emperor Tiberius had cucumbers grown in one. The more modern type of greenhouse started in the early eighteen hundreds. The Swallow greenhouse is based and inspired by tradition, but we have also used the best of new materials and technology. It must be said that Swallow is very innovative and constantly thinking of new ideas.

As a result, at Glee NEC Birmingham we won the New Products Award in 2010 and again in 2011 plus the Best of British Award in 2011, based on innovation, design, quality of manufacture and value for money.



Glee Garden Leisure Winners 2010 - New Products - (Howard, Michael and Ian)



Glee New Products and Best of British Winners 2012 - (James, Howard and Michael)



"Inspired by Tradition"

New for 2012

Our fantastic potting sheds – available in two gable widths, the Jay (6'8) and Rook (8'9). Our innovative design enables growing room to be maximised while allowing for all important storage space. Two rear shelves are supplied as standard in addition to staging at the front of the shed.

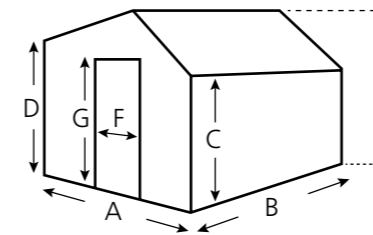
To aid ventilation there is an opening end window with manual stay and there are two opening automatic vents in the roof. The roof is covered with vinyl for durability. There is also a fitted floor with plastic runners, designed to help prevent damp and extend the life of the building.



Jay

(6'8 x 8'4) showing optional extras;

- Gutter System
- High Level Shelf



A - Gable Width	B - Length	C - Window Eaves Height	D - Shed Eaves	E - Ridge Height	F - Door Width	G - Door Height
2035mm (6'8)	2550mm (8'4)	1730mm (5'8)	2110mm (6'11)	2235mm (7'4)	810mm (2'6)	1980mm (6'6)
2035mm (6'8)	3180mm (10'5)	1730mm (5'8)	2110mm (6'11)	2235mm (7'4)	810mm (2'6)	1980mm (6'6)



Rook

(8'9 x 10'5) showing optional extras;

- Gutter System
- High Level Shelf

A - Gable Width	B - Length	C - Window Eaves Height	D - Shed Eaves	E - Ridge Height	F - Door Width	G - Door Height
2660mm (8'9)	2550mm (8'4)	1730mm (5'8)	2110mm (6'11)	2370mm (7'9)	810mm (2'6)	1980mm (6'6)
2660mm (8'9)	3180mm (10'5)	1730mm (5'8)	2110mm (6'11)	2370mm (7'9)	810mm (2'6)	1980mm (6'6)

The Kingfisher

The Kingfisher is our 2035mm (6'8) wide single door model. This is an extremely popular model, ideal for most gardens

The Kingfisher (6'8 x 16'8) showing optional extras;
 • Extra Staging
 • High Level Shelf



The Kingfisher (6'8 x 8'4) showing optional extras;
 • Painted Lily White
 • Gutter System

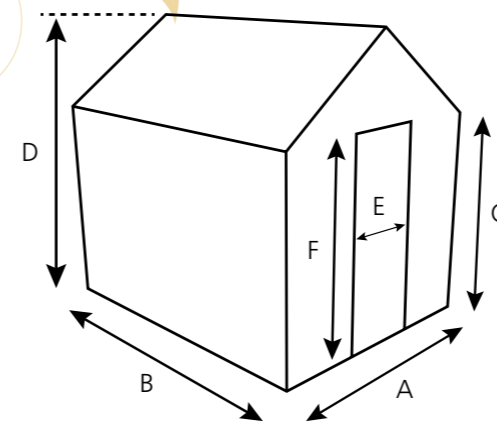


showing optional extra;
 • High Level Shelf



The Kingfisher (6'8 x 8'4) showing optional extras;
 • Extra Staging
 • High Level Shelf
 • Combination Shed (6'4)

The Kingfisher (6'8 x 10'5)



The Kingfisher (6'8 x 4'3) fits nicely into the smaller garden.



A - Gable Width	B - Length	C - Eaves Height	D - Ridge Height	E - Door Width	F - Door Height	No: of Vents
2035mm (6'8)	1290mm (4'3)	1730mm (5'8)	2370mm (7'9)	570mm (1'10)	1980mm (6'6)	1
2035mm (6'8)	1920mm (6'4)	1730mm (5'8)	2370mm (7'9)	570mm (1'10)	1980mm (6'6)	2
2035mm (6'8)	2550mm (8'4)	1730mm (5'8)	2370mm (7'9)	570mm (1'10)	1980mm (6'6)	2
2035mm (6'8)	3180mm (10'5)	1730mm (5'8)	2370mm (7'9)	570mm (1'10)	1980mm (6'6)	2
2035mm (6'8)	3840mm (12'7)	1730mm (5'8)	2370mm (7'9)	570mm (1'10)	1980mm (6'6)	4
2035mm (6'8)	4470mm (14'8)	1730mm (5'8)	2370mm (7'9)	570mm (1'10)	1980mm (6'6)	4
2035mm (6'8)	5100mm (16'9)	1730mm (5'8)	2370mm (7'9)	570mm (1'10)	1980mm (6'6)	4
2035mm (6'8)	5730mm (18'10)	1730mm (5'8)	2370mm (7'9)	570mm (1'10)	1980mm (6'6)	4
2035mm (6'8)	6360mm (20'10)	1730mm (5'8)	2370mm (7'9)	570mm (1'10)	1980mm (6'6)	4



Raven

The Raven is our 2660mm (8'9) wide double door model, available in a multiple of lengths. This is an extremely popular spacious model for those who require wide access for wheelbarrows etc.

Raven (8'9 x 18'10)



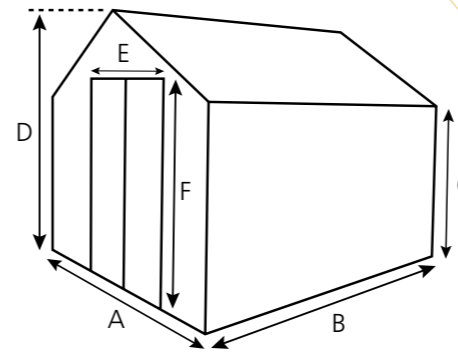
Raven (8'9 x 20'10)



Raven (8'9 x 8'4) showing optional extra;
• Combination Shed (4'3)*

* All combination sheds are supplied with two shelves as standard.
See page 15 for more optional extras

Raven (8'9 x 10'5) showing optional extra:
• High Level Shelf



Raven (8'9 x 12'7) showing optional extras;
• Gutter System
• Extra Staging
• High Level Shelf
• **Painted Olive Green**

A - Gable Width	B - Length	C - Eaves Height	D - Ridge Height	E - Double Door Opening Width	F - Door Height	No. of Vents
2660mm (8'9)	1920mm (6'4)	1730mm (5'8)	2660mm (8'9)	1200mm (3'11)	1980mm (6'6)	2
2660mm (8'9)	2550mm (8'4)	1730mm (5'8)	2660mm (8'9)	1200mm (3'11)	1980mm (6'6)	2
2660mm (8'9)	3180mm (10'5)	1730mm (5'8)	2660mm (8'9)	1200mm (3'11)	1980mm (6'6)	4
2660mm (8'9)	3840mm (12'7)	1730mm (5'8)	2660mm (8'9)	1200mm (3'11)	1980mm (6'6)	4
2660mm (8'9)	4470mm (14'8)	1730mm (5'8)	2660mm (8'9)	1200mm (3'11)	1980mm (6'6)	4
2660mm (8'9)	5100mm (16'9)	1730mm (5'8)	2660mm (8'9)	1200mm (3'11)	1980mm (6'6)	4
2660mm (8'9)	5730mm (18'10)	1730mm (5'8)	2660mm (8'9)	1200mm (3'11)	1980mm (6'6)	6
2660mm (8'9)	6360mm (20'10)	1730mm (5'8)	2660mm (8'9)	1200mm (3'11)	1980mm (6'6)	8

New for 2012

Introducing our painted range

Kingfisher (6'8 x 8'4)
showing optional extras;
• High Level Shelf



Painted Olive



Kingfisher (6'8 x 8'4)
showing optional extras;
• Gutter System
• High Level Shelf

Painted Bracken

We have developed a spraybooth facility at our Rotherham Headquarters enabling us to produce a high quality finish. The advantage of having your building painted with us is the spray gun process is undertaken prior to glazing for a seamless finish. Some components are painted prior to assembly i.e. tongue and groove boards, which increase the durability of the greenhouse. These boards are repainted after final assembly.

Our four standard colours are: Olive, Bracken, Earth and Lily

Raven (8'9 x 10'5)
showing optional extra;
• Gutter System
• Combination Shed (6'4)
with Fixed Window

Painted Olive



Kingfisher (6'8 x 8'4)
showing optional extras;
• White Gutter System
• High Level Shelf

Painted Lily



Dove (6'7 x 10'5)
showing optional extra;
• Gutter System

Painted Earth

The paint used is an opaque water borne acrylic protective top coat, which has a flexible microporous protective film. It is resistant to bacterial mould and UV attack.

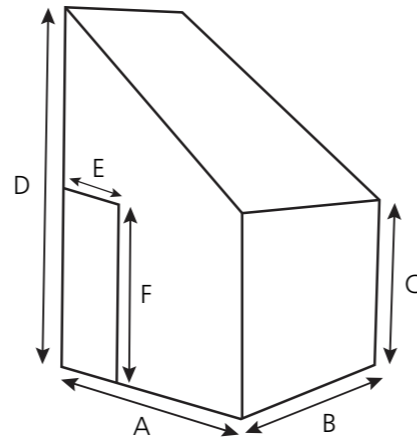


The Finch

The Finch is our 1380cm (4'6) wide model with a single door. This compact model is available in a multiple of lengths. This lean-to should ideally be on a south-facing wall and is a delightful addition to any garden.

showing optional extras:

- Guttering



Dove (6'7 x 14'8) **painted Olive**

Having the lean-to painted makes a delightful addition to any garden



Dove (6'7 x 12'7) **painted Lily**
showing optional extras;
• White Gutter System

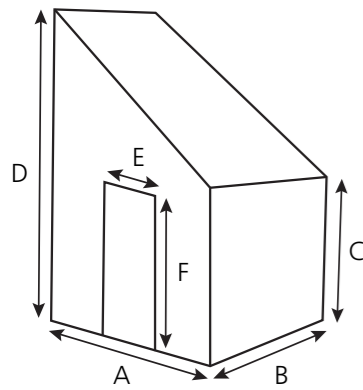
A - Gable Width	B - Length	C - Eaves Height	D - Ridge Height	E - Door Width	F - Door Height	No: of Vents
1380mm (4'6)	1920mm (6'4)	1730mm (5'8)	2660mm (8'9)	570mm (1'10)	1980mm (6'6)	1
1380mm (4'6)	2550mm (8'4)	1730mm (5'8)	2660mm (8'9)	570mm (1'10)	1980mm (6'6)	2
1380mm (4'6)	3180mm (10'5)	1730mm (5'8)	2660mm (8'9)	570mm (1'10)	1980mm (6'6)	2
1380mm (4'6)	3840mm (12'7)	1730mm (5'8)	2660mm (8'9)	570mm (1'10)	1980mm (6'6)	2

The Dove

The Dove is our 2010mm (6'7) wide model, which can have a single door either in the centre position or up to the wall. This model is available in a multiple of lengths. This lean-to should ideally be on a south-facing wall and although it can be used for a multitude of uses, traditionally it was used for vines.

showing optional extras:

- Guttering
- Return Staging
- High Level Shelf

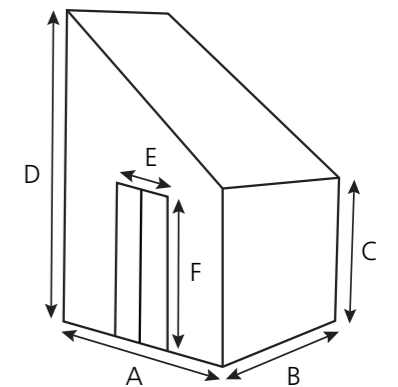


A - Gable Width	B - Length	C - Eaves Height	D - Ridge Height	E - Door Width	F - Door Height	No: of Vents
2010mm (6'7)	1290mm (4'3)	1730mm (5'8)	2910mm (9'6)	570mm (1'10)	1980mm (6'6)	1
2010mm (6'7)	1920mm (6'4)	1730mm (5'8)	2910mm (9'6)	570mm (1'10)	1980mm (6'6)	1
2010mm (6'7)	2550mm (8'4)	1730mm (5'8)	2910mm (9'6)	570mm (1'10)	1980mm (6'6)	2
2010mm (6'7)	3180mm (10'5)	1730mm (5'8)	2910mm (9'6)	570mm (1'10)	1980mm (6'6)	2
2010mm (6'7)	3840mm (12'7)	1730mm (5'8)	2910mm (9'6)	570mm (1'10)	1980mm (6'6)	2
2010mm (6'7)	4470mm (14'8)	1830mm (5'8)	2910mm (9'6)	570mm (1'10)	1980mm (6'6)	3
2010mm (6'7)	5100mm (16'9)	1730mm (5'8)	2910mm (9'6)	570mm (1'10)	1980mm (6'6)	4
2010mm (6'7)	5730mm (18'10)	1730mm (5'8)	2910mm (9'6)	570mm (1'10)	1980mm (6'6)	4
2010mm (6'7)	6360mm (20'10)	1730mm (5'8)	2910mm (9'6)	570mm (1'10)	1980mm (6'6)	4



The Heron

The Heron is our 2640mm (8'8) wide double doors model. This model is available in a multiple of lengths. This lean-to should ideally be on a south-facing wall and has ample storage space.



A - Gable Width	B - Length	C - Eaves Height	D - Ridge Height	E - Double Opening Width	F - Door Height	No: of Vents
2640mm (8'8)	1920mm (6'4)	1730mm (5'8)	3260mm (10'8)	1200mm (3'11)	1980mm (6'6)	1
2640mm (8'8)	2550mm (8'4)	1730mm (5'8)	3260mm (10'8)	1200mm (3'11)	1980mm (6'6)	2
2640mm (8'8)	3180mm (10'5)	1730mm (5'8)	3260mm (10'8)	1200mm (3'11)	1980mm (6'6)	2
2640mm (8'8)	3840mm (12'7)	1730mm (5'8)	3260mm (10'8)	1200mm (3'11)	1980mm (6'6)	2
2640mm (8'8)	4470mm (14'8)	1730mm (5'8)	3260mm (10'8)	1200mm (3'11)	1980mm (6'6)	3
2640mm (8'8)	5100mm (16'9)	1730mm (5'8)	3260mm (10'8)	1200mm (3'11)	1980mm (6'6)	4
2640mm (8'8)	5730mm (18'10)	1730mm (5'8)	3260mm (10'8)	1200mm (3'11)	1980mm (6'6)	4
2640mm (8'8)	6360mm (20'10)	1730mm (5'8)	3260mm (10'8)	1200mm (3'11)	1980mm (6'6)	4



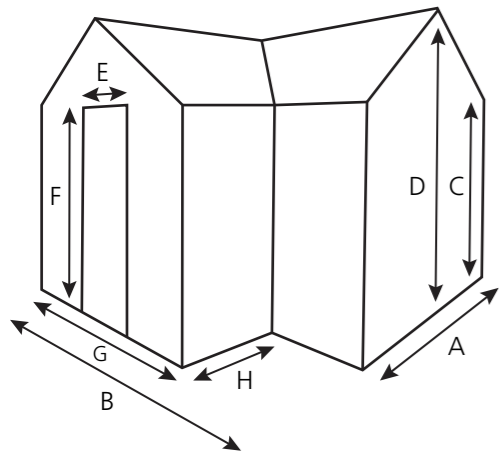
Cygnnet (6'8 x 11'5) showing optional extras:
 • Rear Staging
 • High Level Shelf
 • Ornate Black Handle



Copper Valley

The Cygnnet

The T-shaped design of our Cygnnet range would look stylish in any garden. This is available in three standard lengths and three porch depths. This range comes complete with guttering and two front returned stagings as standard. The smallest size in the range is the 3490mm (11'5) x 2035mm (6'8) model and the porch is 2035mm (6'8) x 730mm (2'5).



The Cygnnet Front Returned Stagings

A - Gable Width	B- Length	C - Eaves Height	D - Ridge Height	E - Door Width	F - Door Height	G - Porch Width	H - Porch Length	No: of Vents
2035mm (6'8)	3490mm (11'5)	1730mm (5'8)	2370mm (7'9)	570mm (1'10)	1980mm (6'6)	2035mm (6'8)	730mm (2'5)	4
2035mm (6'8)	4810mm (15'9)	1730mm (5'8)	2370mm (7'9)	570mm (1'10)	1980mm (6'6)	2035mm (6'8)	730mm (2'5)	4
2035mm (6'8)	6070mm (19'11)	1730mm (5'8)	2370mm (7'9)	570mm (1'10)	1980mm (6'6)	2035mm (6'8)	730mm (2'5)	6

The Cygnnet range is also available with the following extended porch dimensions;

2035mm (6'8)	1360mm (4'5)	2
2035mm (6'8)	1990mm (6'6)	2

The Mallard

The Mallard has a larger gable width and is also available in three standard lengths. This greenhouse was sited on a dwarf wall*. However as standard the building is constructed upon a boarded base. Guttering and two front returned stagings are supplied as standard with this model.

Mallard (8'9 x 11'5) showing optional extras;
 • High Level Shelves
 • Rear Staging



A - Gable Width	B- Length	C - Eaves Height	D - Ridge Height	E - Door Width	F - Door Height	G - Porch Width	H - Porch Length	No: of Vents
2660mm (8'9)	3490mm (11'5)	1730mm (5'8)	2660mm (8'9)	570mm (1'10)	1980mm (6'6)	2035mm (6'8)	730mm (2'5)	4
2660mm (8'9)	4810mm (15'9)	1730mm (5'8)	2660mm (8'9)	570mm (1'10)	1980mm (6'6)	2035mm (6'8)	730mm (2'5)	4
2660mm (8'9)	6070mm (19'11)	1730mm (5'8)	2660mm (8'9)	570mm (1'10)	1980mm (6'6)	2035mm (6'8)	730mm (2'5)	6

The Mallard range is also available with the following extended porch dimensions;

2035mm (6'8)	1360mm (4'5)	2
2035mm (6'8)	1990mm (6'6)	2



The Swan

Swan (8'9 x 21'11) **Painted Bracken** showing optional extras;
 • Rear Staging
 • High Level Shelves

The Swan has a gable width of 8'9 and a porch width of (8'9) and is also available in three standard lengths. This greenhouse was sited on a dwarf wall*. However as standard the building is constructed upon a boarded base. As with the Cygnnet and Mallard guttering and two front returned stagings are supplied as standard (with this model double doors are also supplied as standard).

A - Gable Width	B- Length	C - Eaves Height	D - Ridge Height	E - Double Door Opening Width	F - Door Height	G - Porch Width	H - Porch Length	No: of Vents
2660mm (8'9)	4122mm (13'6)	1730mm (5'8)	2660mm (8'9)	120cm (3'11)	1980mm (6'6)	2660mm (8'9)	730mm (2'5)	4
2660mm (8'9)	5444mm (17'10)	1730mm (5'8)	2660mm (8'9)	120cm (3'11)	1980mm (6'6)	2660mm (8'9)	730mm (2'5)	6
2660mm (8'9)	6702mm (21'11)	1730mm (5'8)	2660mm (8'9)	120cm (3'11)	1980mm (6'6)	2660mm (8'9)	730mm (2'5)	8

The Swan range is also available with the following extended porch dimensions;

2660mm (8'9)	1360mm (4'5)	2
2660mm (8'9)	1990mm (6'6)	2

*Dwarf wall cannot be constructed by Swallow GB Ltd. We will forward a base plan for the greenhouse upon receipt of the order.

The Falcon

The Falcon is our 3990mm (13'1) wide double door model is available in a multiple of lengths. This spacious greenhouse offers a multitude of opportunities where plants can be stationed not only down the side of the greenhouse but also in the centre. The double doors allow access for wheelbarrows or carrying large trays.

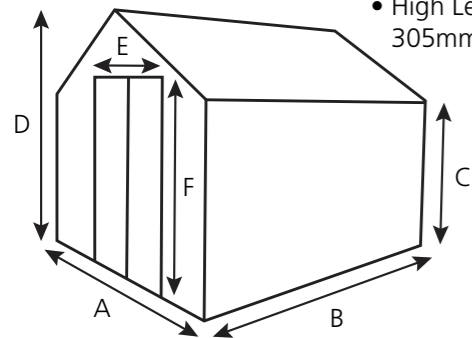


The Falcon (13'1 x 25')

The spacious interior of The Falcon

showing optional extras:

- Extra Staging
- High Level Shelves - 305mm (1') wide



A - Gable Width	B - Length	C - Eaves Height	D - Ridge Height	E - Double Opening Width	F - Door Height	No: of Vents
3990mm (13'1)	3840mm (12'7)	1730mm (5'8)	2900mm (9'6)	1200mm (3'11)	1980mm (6'6)	4
3990mm (13'1)	5760mm (18'10)	1730mm (5'8)	2900mm (9'6)	1200mm (3'11)	1980mm (6'6)	6
3990mm (13'1)	7680mm (25'2)	1730mm (5'8)	2900mm (9'6)	1200mm (3'11)	1980mm (6'6)	8
3990mm (13'1)	9600mm (31'6)	1730mm (5'8)	2900mm (9'6)	1200mm (3'11)	1980mm (6'6)	10
3990mm (13'1)	11520mm (37'9)	1730mm (5'8)	2900mm (9'6)	1200mm (3'11)	1980mm (6'6)	12

Optional Extras: Combination Shed

A combination shed provides ample storage options for the gardener and is constructed from quality tanalised timber. Available in two lengths, 4'3 and 6'4, the shed has shelving supplied as standard. The roof is covered with vinyl for durability. There are also a number of additional options as detailed below;



Guttering



Additional Door



Fixed Window



Floor



Opening Window



Additional Shelves

Greenhouses & Potting Sheds

Why not complement your greenhouse or potting shed with the following additional extras, designed specifically for Swallow (GB) buildings?



Bench with low shelf.
Available in 55cm (1'10) x 120cm (3'11) or 180cm (5'11)
Height of bench is 745mm



High Level Shelving
(250mm wide)



Ornate Black
Handle Set



Side Vent



Rainwater System
(Quality Black PVC)



Rainwater System
(Quality White PVC)



The Cold Frame available in
640mm x 1350mm (2'1 x 4'5) or
1010mm x 1350mm (3'4 x 4'5)



Extra Staging



We offer a painting service

Base Advice:

The ideal base for the greenhouse would be;

- i) Paving slabs which would encourage natural drainage OR
- ii) Solid concrete base to the size of the greenhouse with a minimum 4 inch thickness OR
- iii) Concrete strip footing with a minimum 4 inch thickness

The base can be larger than the greenhouse if required by the customer but it must not be any smaller.

Most importantly the base must be level.

Lean-To Base Advice:

There are additional factors to consider if a lean-to greenhouse is purchased. In addition to the advice above the following must also apply;

- Swallow (GB) will ask the type of wall and height of wall upon receipt of the order
- Swallow (GB) will ask if the wall is straight and will request photographs if necessary
- The base must be 90° to the wall and level

Access Information:

We require the following height clearances for access as all panels are pre-glazed in the factory;

Finch, Cygnet, Jay, Kingfisher – 6'6

Heron, Mallard, Swan, Raven, Rook, Falcon – 8'6

Once the order is received by us we will forward a base plan for the building. We then ask the customer to contact us when their base is ready to enable us to plan our routes.

Specifications

All Swallow (GB) buildings have the following features as standard

- The redwood pine glazing bars are 58mm x 32mm finished size
- All boards are 12mm finish tongued and grooved boards and fixed with stainless steel nails
- All the timber is green tint tanalised pressure treated
- The inward opening door has a mortise lock and aluminium handles
- Glazing is toughened safety glass
- All the glazing is slid into a groove and sealed with quality silicone
- All the cut shapes are jointed with a clear plastic H section
- Each roof vent has an automatic opener
- Full length staging down one side with centre support (width 520mm, height 745mm)
- There is a specially turned apex finial for that classic look (excluding Lean-To's)
- The ridge and top vents are sealed with a specially machined timber capping
- A 20mm black PVC section is screwed to the bottom, called the damp barrier (excluding Potting Shed)



Agent Stamp

